

PARTS LIST

- (A) POSTS
- (B) TRELLIS SECTIONS
- (C) ROOF BEAMS
- (D) LONG ROOF SECTION
- (E) SHORT ROOF SECTION
- (F) FINIAL
- (G) ROOF SUPPORT

STEP 3
 Upon completion of assembly (Steps 1-2 overleaf), the Arch may now be positioned in the prepared holes and fixed into position.
 Ensure the arch is level and upright before concreting it in.



AFTERCARE

To ensure longevity of your structure it is recommended that it is treated with a wood preservative on a yearly basis.

Grange
 DEFINING GARDENS

VALENCIA ARCH

VALARCH - 274cm [H] x 174cm [W] x 74cm [D]

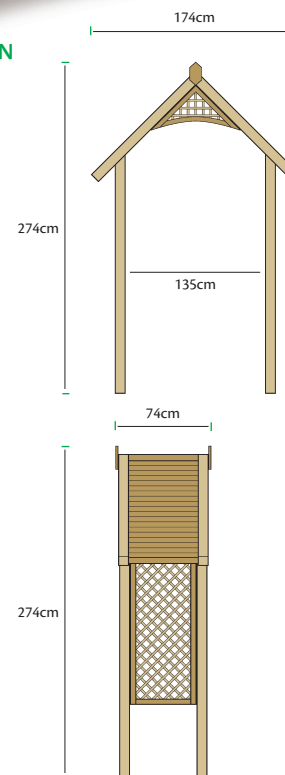


Home Delivery available



Pre-Painted available

PLAN



CODE VALARCH

©2015 Grange Fencing Ltd All rights reserved.
 In line with the Company's policy of continuous product development, the right is reserved to change and improve product design without prior notice.

All products and related emblems featured are trademarks of Grange Fencing Ltd.

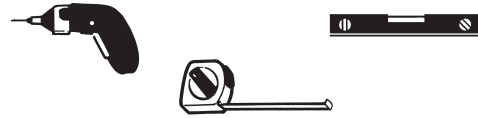
www.grangefen.co.uk



Thank you for choosing this garden structure from Grange. In order to gain the most benefit from it please read the following instructions carefully.

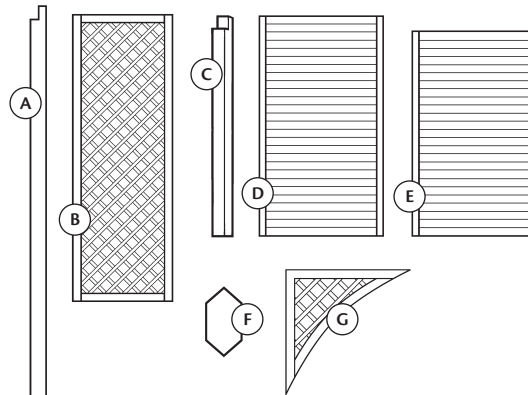
TOOLS REQUIRED (Not Supplied)

POWER DRILL/SCREWDRIVER
with posidrive bit
TAPE MEASURE
SPIRIT LEVEL



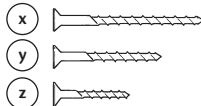
PARTS LIST

(A) POSTS	x 4
(B) TRELIS SECTIONS	x 2
(C) ROOF BEAMS	x 4
(D) LONG ROOF SECTION	x 1
(E) SHORT ROOF SECTION	x 1
(F) FINIAL	x 2
(G) ROOF SUPPORT	x 2



HARDWARE PACK

(x) SCREW - 4 x 6cm	x 8	(x) SCREW	x 8
(y) SCREW - 3.5 x 4.5cm	x28	(y) SCREW	x28
(z) SCREW - 3.5 x 3.5cm	x 8	(z) SCREW	x 8

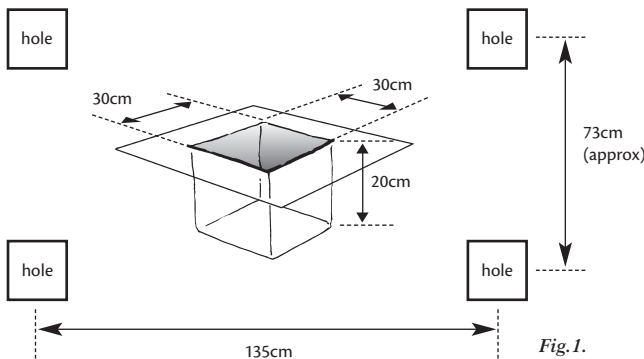


BEFORE YOU START

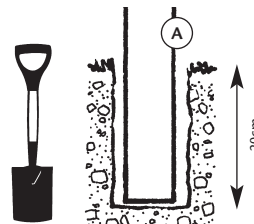
- Please check the packs and make sure that you have all of the parts listed above. If not, contact your retailer who will be able to help you.
- When you are ready to start make sure you have the right tools to hand, plenty of space and a clean dry area for assembly.
- It is advisable for two people to carry out the work.

ARCH 'FOOTPRINT'

Excavate four 30cm sq. holes (to a depth of 20cm) for the four legs of the arch.



We would recommend that you use **METCRETE**, fast set post fixing concrete to fix your posts. Easy to use, it sets in just 10 minutes.



SITE PREPARATIONS

Excavate a 30cm square hole (approx) for each of the posts to a depth of at least 20cm

See arch 'footprint' and Fig. 1. (below left)

ASSEMBLY

STEP 1

Assemble the Roof Sections (C to D - C to E) with screws (y) as shown in Fig. 2.

Fix together the two Roof Assemblies (C/D & C/E) as shown in Fig. 3. using screws (z).

NB. one roof section is slightly longer than the other to enable an overlap for fixing.

Fix the Roof Supports (G) to the roof assembly front and back as shown in Fig. 4. using two screws (y) each side.

Finally, fit the Finials (F) front and back to the roof using two screws (z). See Fig. 5.

This completes assembly of your Arch roof.

STEP 2

Assemble the Side Sections (A to B) as shown in Fig. 6. using screws (y).

The Side Section (A/B) position should be set to cover a path width of up to 135cm.

Fix the side sections to the roof assembly as Fig. 7. using screws (x).

Ensure they are set at the same distance from the end of the roof on both sides of the opening as Fig. 8.

This completes assembly of your Arch.

