

**STEP 9**  
Drill 6mm clearance holes through the poles at the marked points.

**STEP 10**  
On the cross poles of the assembled sections mark the position where each of the six poles will be fixed. Start at the centre point and mark these points either side at equally spaced intervals.

**STEP 11**  
Attach one of the poles to a post assembly at the marked point nearest to the end of the pole using screws (x).

**STEP 12**  
Attach another pole to the other end of the same post assembly.

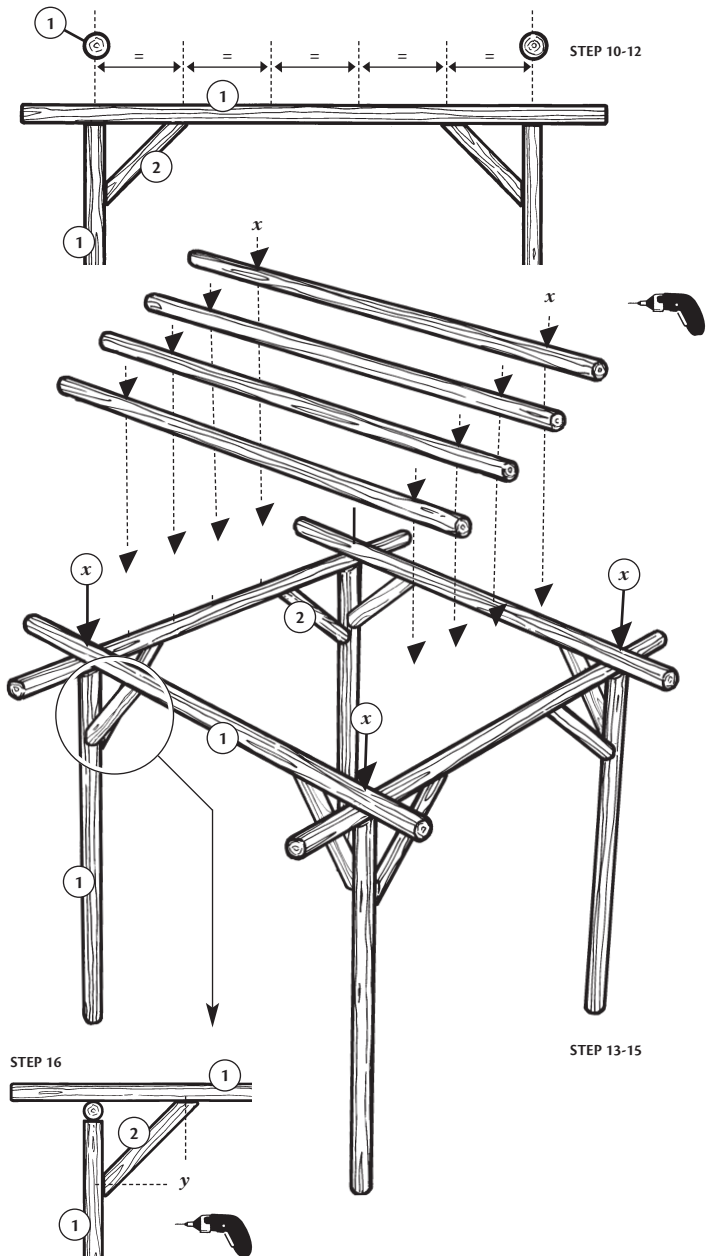
**STEP 13**  
Attach the free end of the pole fixed in Step 11 to the free post assembly.

**STEP 14**  
Attach the free end of the pole fixed in Step 12 to the other end of the post assembly.

**STEP 15**  
Attach the remaining five poles to the cross poles at the points previously marked.

**STEP 16**  
Take the remaining four Corner Supports (2) and fix to the post uprights and the end cross posts with 2 screws (y) each, as you did with the first four supports in Step 6. This will help to brace the structure.

Locate the structure in the prepared holes. After ensuring the structure is level and upright, fill the holes with the chosen method of fixing.



# Grange

DEFINING GARDENS

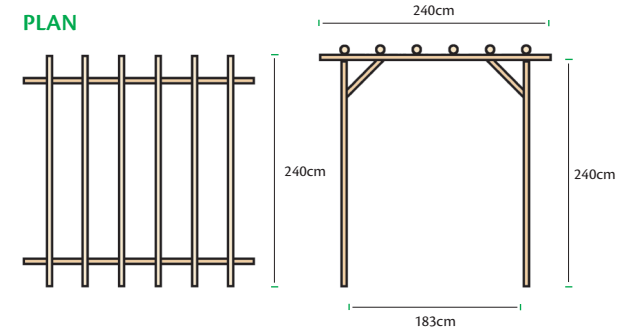
## RUSTIC ROSE PERGOLA

RRPERG - 252cm [H] x 240cm [W] x 240cm [D]

Self-Assembly required Home Delivery available



©2016 Grange Fencing Ltd  
All rights reserved.  
In line with the Company's policy of continuous product development, the right is reserved to change and improve product design without prior notice.  
All products and related emblems featured are trademarks of Grange Fencing Ltd.  
[www.grangefen.co.uk](http://www.grangefen.co.uk)



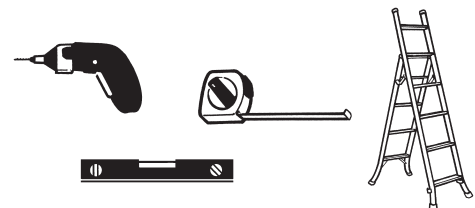
**AFTERCARE**

To ensure longevity of your structure it is recommended that it is treated with a wood preservative on a yearly basis.

Thank you for choosing this garden structure from Grange. In order to gain the most benefit from it please read the following instructions carefully.

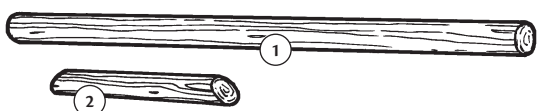
#### TOOLS REQUIRED (Not Supplied)

POWER DRILL  
SPIRIT LEVEL  
TAPE MEASURE  
STEP LADDER



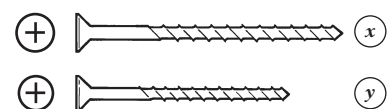
#### PARTS LIST

1	RUSTIC POLES	12
2	CORNER SUPPORTS	8



#### HARDWARE PACK

x	SCREW 6 x 100	18
y	SCREW 5 x 80	16



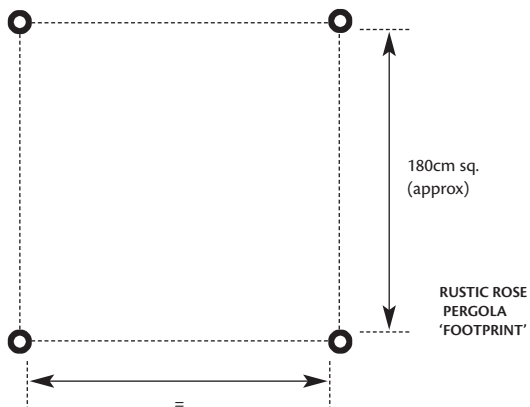
#### BEFORE YOU START

- Please ensure that you check all the component parts for quantity and quality before you commence building the product. Report any missing parts immediately. The manufacturer will not accept any responsibility for damaged items once any part of the product has been fitted or altered in any way.
- Timber is a natural material and will react to varying levels of moisture content - ie. will swell or shrink. All of the Timber components are pressure treated green. However, should extra protection be required, they should be treated using a wood preservative treatment, following the manufacturers instructions.

#### HEALTH AND SAFETY

Do not lean or stand on the assembly at any time - the structure is not of a load bearing design.  
Do not overstretch when working from the step ladder.  
In order to reduce the risk of suffocation please keep all plastic bags and small parts away from children.

- When you are ready to start, make sure you have the right tools to hand, plenty of space and a clean, dry area for assembly. It is advisable for two people to carry out the work.



#### ASSEMBLY INSTRUCTIONS

The footprint for the Pergola is not fixed so that some adjustment may be made if required.

##### STEP 1

Mark out the position where the Pergola will be sited. The usual distance between the posts would be 180cm. Prepare holes to accept the posts to a depth of 30cm plus an allowance for the preferred method of fixing.

##### STEP 2

Take two of the poles (1) to provide the cross members at the top of the posts. From the centre of the poles mark two points equally spaced either side where the posts will be fixed.

##### STEP 3

Drill 6mm clearance holes through the poles at the points marked.

##### STEP 4

Take one of the pre-drilled poles and two from the remaining poles to be used as posts.

##### STEP 5

Fix the pre-drilled pole to the top of each of the posts using screws (x).

##### STEP 6

Each of the joints now needs to be supported by fixing a corner support to them. Ensuring the post is at right angles to the pole, fix a support (2) to each joint using screws (y).

##### STEP 7

Repeat for the other pre-drilled pole and two posts.

##### STEP 8

You should now have six poles free. Mark each pole with two points equally spaced either side of the centre point where the two assembled sections will be fixed.

