

**STEP 5**

Position the second circle on top of the first one and align them as closely as possible. Allow the glue to set before continuing - see *fig.3*.

**PART TWO**

**STEP 6**

Mark the circle at the points shown in *fig.4*. Drill each point straight through on both circles using 1.3cm bit.

**STEP 7**

Take one of the Metal Rods (3) & fix to one of the circles as shown in *fig.5* at the top of the circle.

**STEP 8**

Repeat **Step 7** for the other points on the circle except for the two with the feet attached at the ends.

**STEP 9**

At one of the circle Feet fix a Metal Rod as shown in *fig.6* at the foot of the page.

**STEP 10**

Repeat **Step 9** for the other end of the circle.

**STEP 11**

Fix the second circle to the first circle as shown in *fig.7*.

**STEP 12**

Fix the Brackets (f) to the Feet as in **Step 9** - see *fig.6*.

**STEP 13**

Position the circle and fix the Brackets securely.

**STEP 14**

Carry out a final check of the Bolts for tightness.

**STEP 15**

Fit the Plastic Caps (c) into the Plastic Cups (b).

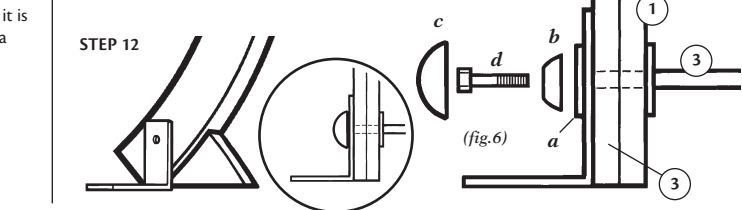
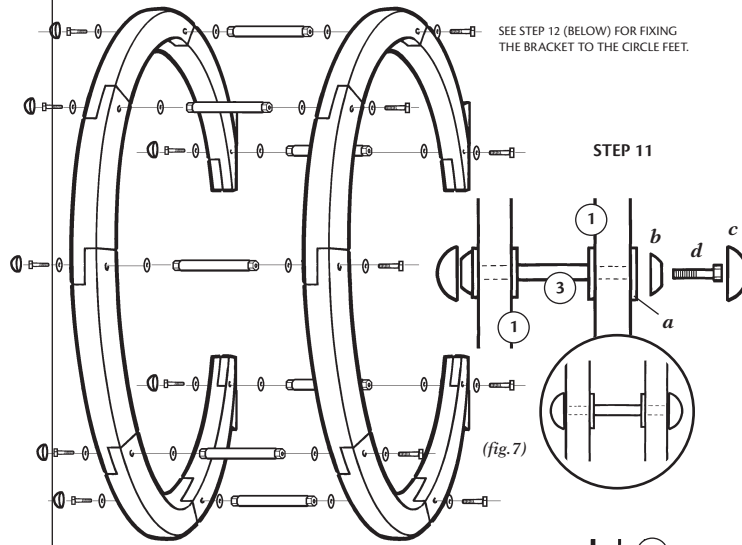
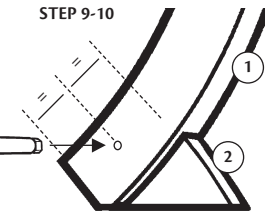
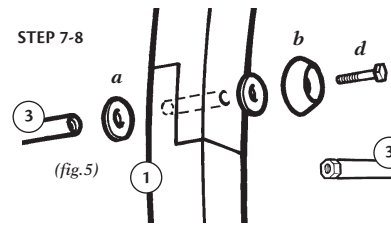
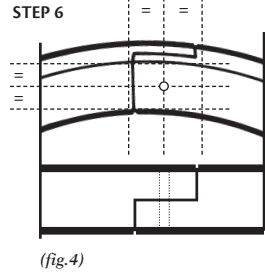
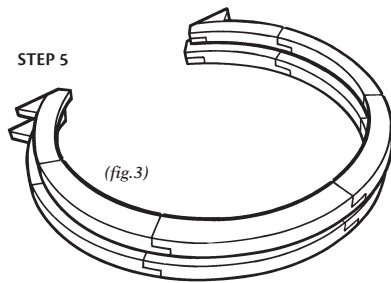
**AFTERCARE**

To ensure longevity of your structure it is recommended that it is treated with a wood preservative on a yearly basis.

**NOTE** - The manufacturer reserves the right to alter specifications as necessary.

**AFTERCARE**

To ensure longevity of your structure it is recommended that it is treated with a wood preservative on a yearly basis.

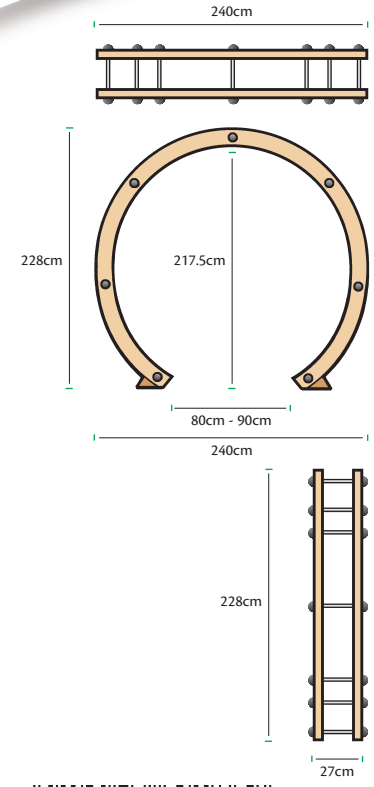


**Grange**  
DEFINING GARDENS

**FLOWER CIRCLE PERGOLA**

FSFCIRC - 228cm [H] x 240cm [W] x 27cm [D]

Self-Assembly required | Home Delivery available | Pre-Painted available



CODE: FSFCIRC



©2015 Grange Fencing Ltd All rights reserved. In line with the Company's policy of continuous product development, the right is reserved to change and improve product design without prior notice.

All products and related emblems featured are trademarks of Grange Fencing Ltd.

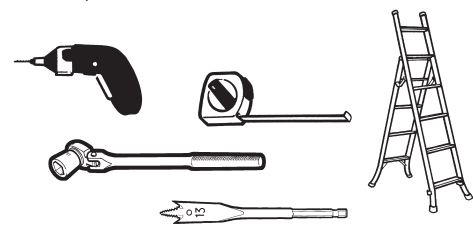
[www.grangefen.co.uk](http://www.grangefen.co.uk)



Thank you for choosing this garden structure from Grange. In order to gain the most benefit from it please read the following instructions carefully.

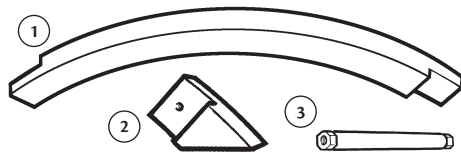
**TOOLS REQUIRED** (Not Supplied)

- POWER SCREWDRIVER
- TAPE MEASURE
- STEPLADDER
- 1.7cm BI-HEX SOCKET & HANDLE
- 1.3cm WOOD DRILL BIT



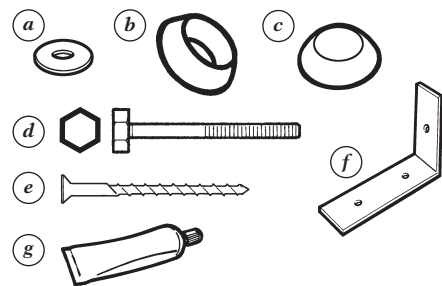
**PARTS LIST**

- |   |             |    |
|---|-------------|----|
| 1 | CURVED BEAM | 12 |
| 2 | FOOT        | 4  |
| 3 | METAL RODS  | 7  |



**HARDWARE PACK**

- |   |                   |    |
|---|-------------------|----|
| a | WASHER            | 28 |
| b | PLASTIC CUP       | 14 |
| c | CAP               | 14 |
| d | M10 x 70 HEX BOLT | 14 |
| e | M4 x 70 SCREWS    | 28 |
| f | METAL BRACKETS    | 4  |
| g | WOOD GLUE         | 1  |



**BEFORE YOU START**

- Please ensure that you check all the component parts for quantity and quality before you commence building the product. Report any missing parts immediately. The manufacturer will not accept any responsibility for damaged items once any part of the product has been fitted or altered in any way.
- Timber is a natural material and will react to varying levels of moisture content - ie. will swell or shrink. All of the Timber components are pressure treated green. However, should extra protection be required, they should be treated using a wood preservative treatment, following the manufacturers instructions.

**HEALTH AND SAFETY**

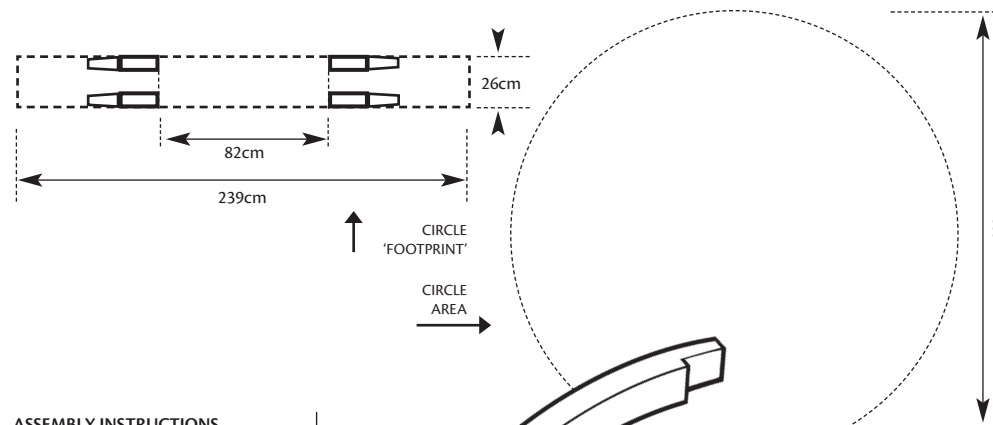
Do **NOT** overstretch when working from the step ladder.

In order to reduce the risk of suffocation please keep all plastic bags and small parts away from children.

- When you are ready to start, make sure you have the right tools to hand, plenty of space and a clean, dry area for assembly.  
***It is advisable for two people erect the structure.***

**PREPARATION**

Make sure the area where the Free Standing Circle is to be positioned is clear and ready for building the structure.



**ASSEMBLY INSTRUCTIONS**

**PART ONE**

To ensure a sound structure it is recommended that the sections which form the circle are glued and assembled then allowed to set for 24 hours before continuing.

Make sure you have a clean, flat dry area big enough to assemble a circle.

**REMEMBER - THE CIRCLE, ONCE ASSEMBLED, WILL NEED TO BE LEFT UNDISTURBED FOR 24 HOURS.**

**ASSEMBLING THE CIRCLE**

**STEP 1**

We recommend the Curved Beams (1) are sorted for best fit of the joints. Changes in the beams can be caused by the pressure treatment following machining.

Take two of the curved sections and apply the wood glue (g) generously to one of the joint faces. Make sure the surface is clean and dry before applying the glue. Fix the mating joint in place and fix with two screws (e) see fig.1.

**STEP 2**

Continue fixing the remaining curved beams in the same manner. Six curved sections form the circle.

**STEP 3**

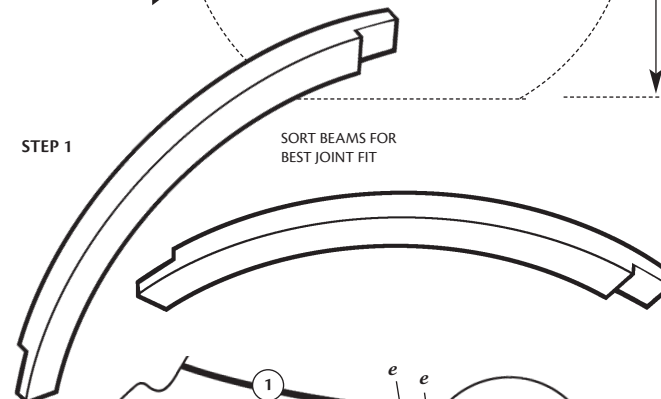
At each end fix one of the Feet (2) as shown in fig.2.

**STEP 4**

Assemble the second circle in the same way.

**STEP 1**

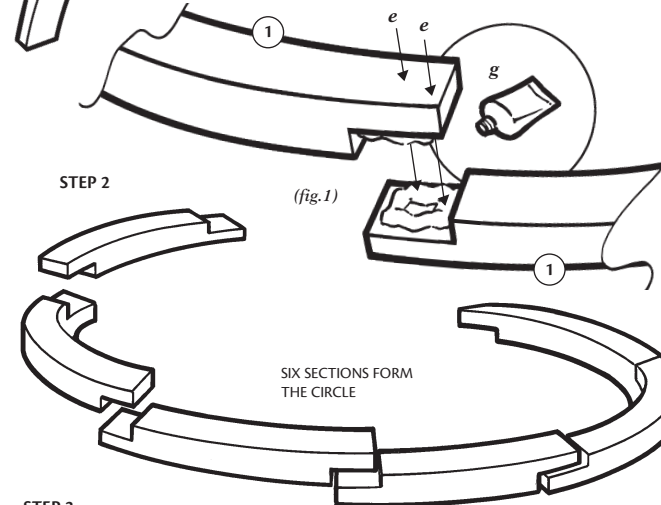
**SORT BEAMS FOR BEST JOINT FIT**



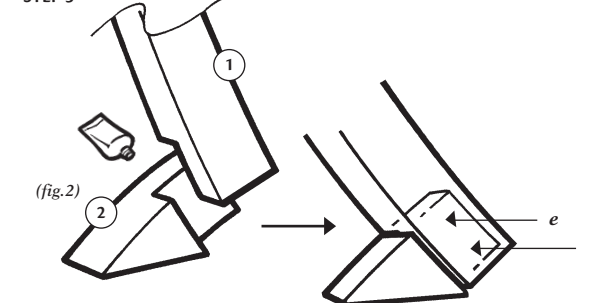
**STEP 2**

(fig.1)

**SIX SECTIONS FORM THE CIRCLE**



**STEP 3**



(continued overleaf)