



ELITE GARDEN ARCH

ELITEARCH - 250cm [H] x 100cm [W] x 44.5cm [D]



Self-Assembly required

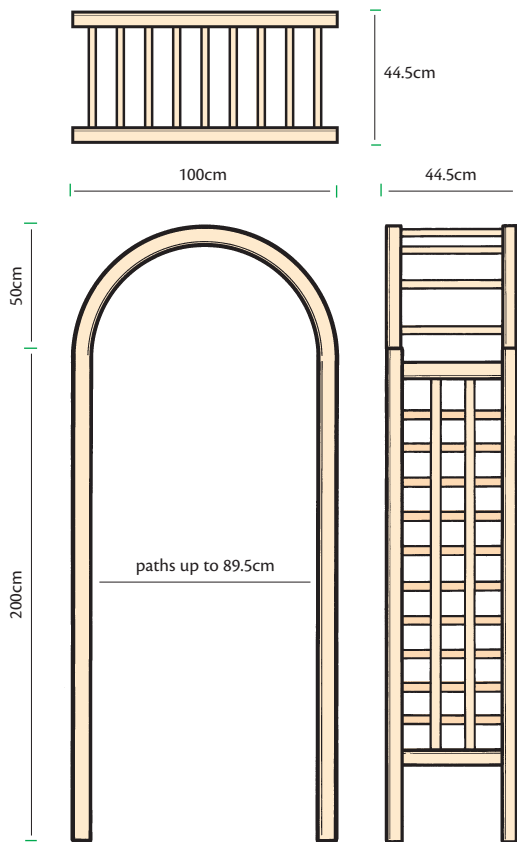


Home Delivery available



Pre-Painted available

PLAN



CODE: ELITEARCH

©2015 Grange Fencing Ltd
All rights reserved.
In line with the Company's policy of continuous product development, the right is reserved to change and improve product design without prior notice.
All products and related emblems featured are trademarks of Grange Fencing Ltd.

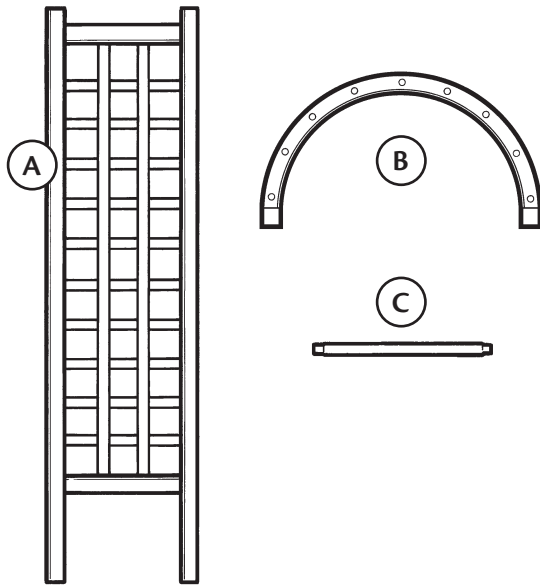
www.grangefen.co.uk



ASSEMBLY INSTRUCTIONS

ELITE GARDEN ARCH

PRESSURE TREATED GREEN



PARTS LIST

- (A)** Arch Side Sections x 2
- (B)** Curved Roof Beams x 2
- (C)** Dowling Beams x 9

HARDWARE PACK

-  **[x]** Screws 8 x 3.5cm x10

BEFORE YOU START

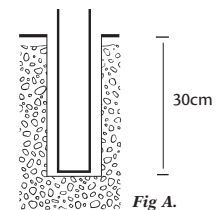
- Check the pack/s and make sure that you have all of the parts listed above. If not, contact your retailer who will be able to help you.
- When you are ready to start, make sure you have the right tools to hand, plenty of space and a clean, dry area for assembly.

It is advisable for two people to carry out the work

SITE PREPARATION

Excavate a 30cm square hole (approx) for each post to a depth of at least 30cm. (see Fig.A right)

This will give your structure adequate stability.



ASSEMBLY

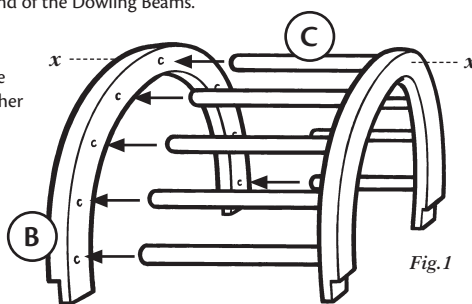
STEP 1

Take one of the Curved Roof Sections (B) and insert one of the Dowling Beams (C) into each of the holes provided.

STEP 2

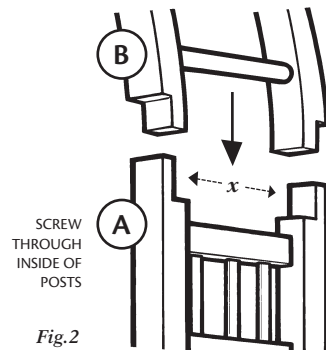
Take the second Curved Roof Section and position it onto the free end of the Dowling Beams.

Fix at the centre of the curve either side with one screw (x) as shown in Fig.1



STEP 3

Carefully position the roof assembly to enable one of the Side Sections (A) to be fitted. Using two screws (x) in each side, attach the Side Section to the roof assembly.



STEP 4

Turn this assembly to allow the other side assembly to be fitted.

STEP 5

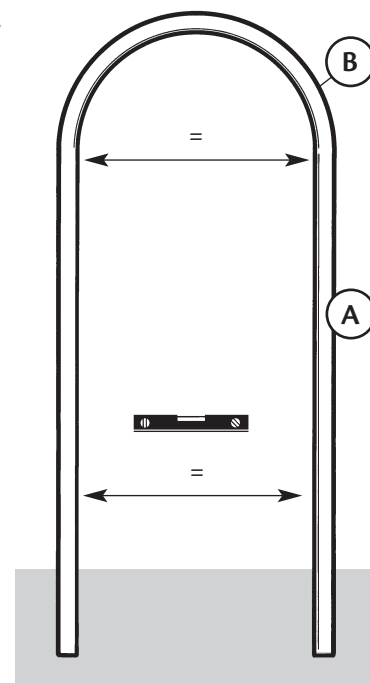
The arch may now be positioned into the prepared holes.

STEP 6

Ensure the arch is vertical and square.

STEP 7

Fill the holes with the chosen method of fixing.



AFTERCARE

To ensure longevity of your structure it is recommended that it is treated with a wood preservative on a yearly basis.

Tools Required: Posidrive Screwdriver / Electric Drill / Spirit Level