

Grange

DEFINING GARDENS

ELITE GRANVILLE ARCH

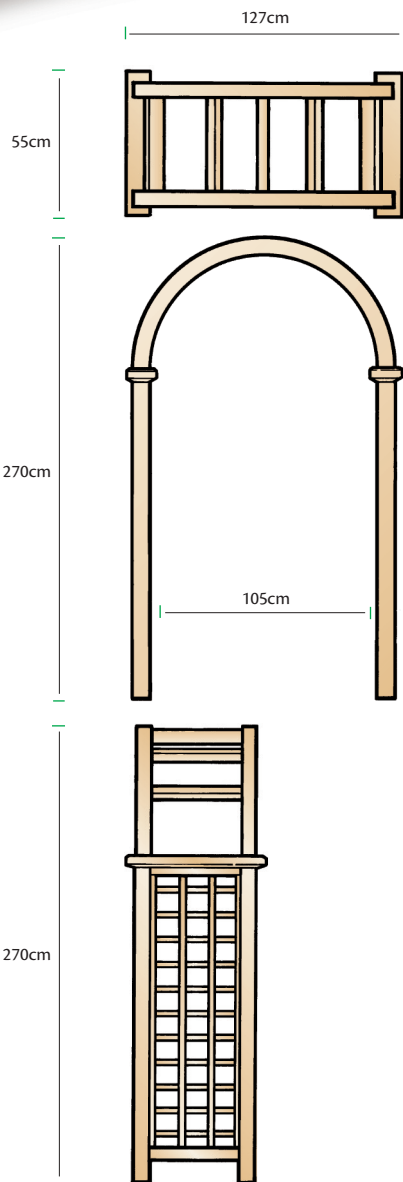
EGA - 270cm [H] x 127cm [W] x 55cm [D]

 Self-Assembly required

 Home Delivery available

 Pre-Painted available

PLAN



CODE: EGA

©2015 Grange Fencing Ltd
All rights reserved.
In line with the Company's policy of continuous product development, the right is reserved to change and improve product design without prior notice.

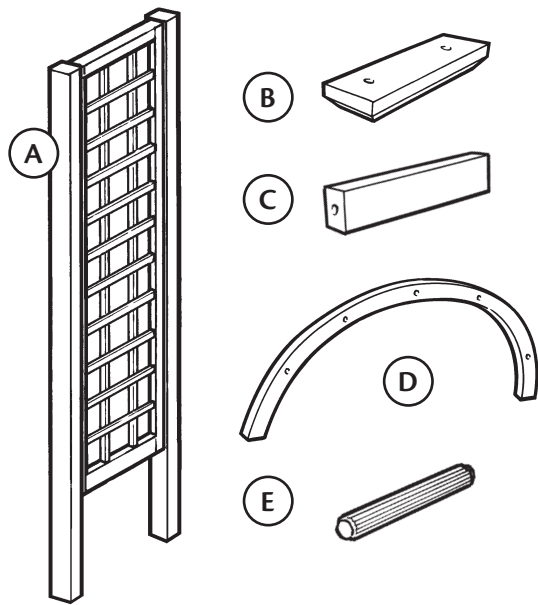
All products and related emblems featured are trademarks of Grange Fencing Ltd.
www.grangefen.co.uk



ASSEMBLY INSTRUCTIONS

ELITE GRANVILLE ARCH

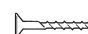

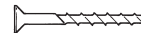
PRESSURE TREATED GREEN



PARTS LIST

(A) Side Sections	x 2
(B) Top Plinths	x 2
(C) Arch Rafters	x 5
(D) Curved Beams	x 2
(E) Dowels 1.5cm [dia.]	x14

HARDWARE PACK

	[x] 4 x 7cm	x18
	[y] 5 x 8cm	x 8
	[z] 5 x 9cm	x 4

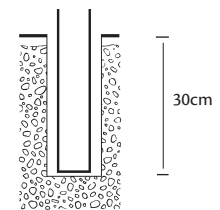
BEFORE YOU START

- Check the pack/s and make sure that you have all of the parts listed above. If not, contact your retailer who will be able to help you.
- When you are ready to start, make sure you have the right tools to hand, plenty of space and a clean, dry area for assembly.

It is advisable for two people to carry out the work

SITE PREPARATION

Excavate a 30cm square hole (approx) for each post to a depth of at least 30cm. (see Fig.A right)
This will give your structure adequate stability.



ASSEMBLY

1. Begin with the roof assembly.

2. Insert the dowels (E) into both ends of the rafters. (Fig.1)

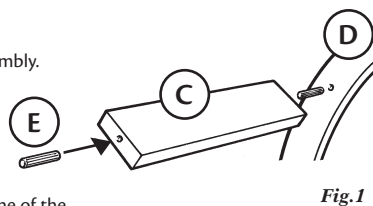


Fig.1

3. Fit the rafters (C) into one of the curved beams (D). Then fit the 2nd curved beam to complete the roof assembly.

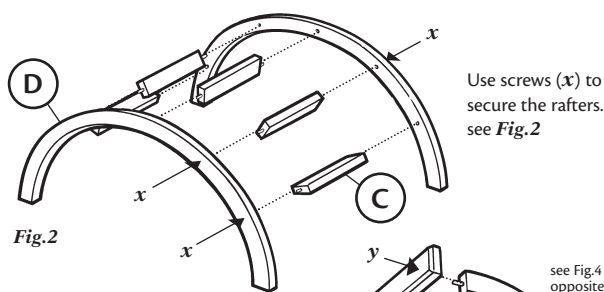


Fig.2

Use screws (x) to secure the rafters. see Fig.2

4. Insert the remaining dowels into the ends of the curved beams.

5. Next, fit the top plinths (B) to each end of the roof assembly using screws (y) - see Fig.3

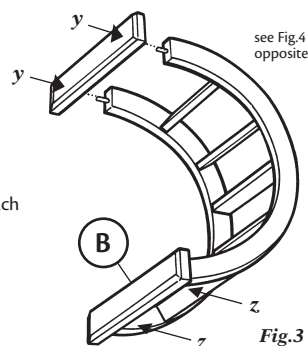


Fig.3

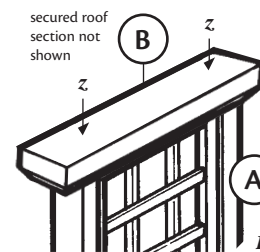


Fig.4

6. Lie the roof section on its side and attach the side section to it using screws (z) into the top of the side section posts (Fig.4).

7. Repeat for 2nd side section.

8. Stand the assembly up and lower it into the prepared holes (Fig.5).

9. Ensure the arch is equally spaced, level and vertical.

10. Fill in the holes using concrete or other preferred filling. Ensure the arch hasn't moved during infill.

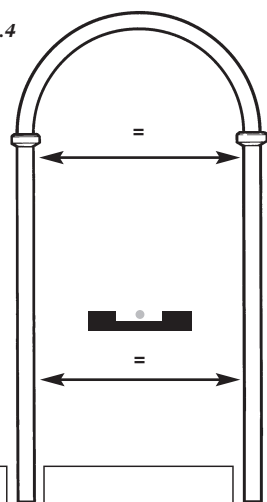


Fig.5

AFTERCARE

To ensure longevity of your structure it is recommended that it is treated with a wood preservative on a yearly basis.

Tools Required: Posidrive Screwdriver