



### IMPORTANT INFORMATION

Read carefully the instructions in full before installation. To ensure correct function and safe operation of the product, it is important to follow these instructions carefully.

- The kit must not be used until it has been fully installed using these instructions.
- There is a danger to life and risk of injury with electrically operated windows! The window motor stops by an electric limit stop or overload cut-off. The resulting forces are strong enough to crush body parts.
- Please attach the safety sticker **(D)** to be clearly visible on the frame of the roof window.
- The remote control **(B)** should be kept out of reach of children.
- If repair work is required, disconnect the transformer plug **(A)** from the mains supply.
- Installation in rooms with high levels of humidity should be in accordance with relevant electrical regulations.
- Kit is for indoor use **only**.
- Please ensure that the occupants are aware that the window is operated using the remote control **(B)**, and will close automatically when rain occurs.
- The transformer plug **(A)** **must not** be covered (maximum temperature of 40°C)
- **We recommend only a suitably qualified electrician should install and connect all the electrical devices.**



### Function

- This window may be manually operated by removing the pin and clip **(C)** from the back of the ventilation handle when the window is open or by removing the domed nut **(K)** on the ventilation handle when closed.
- In case of snow and / or ice, the operation of the window may be obscured.

### Product

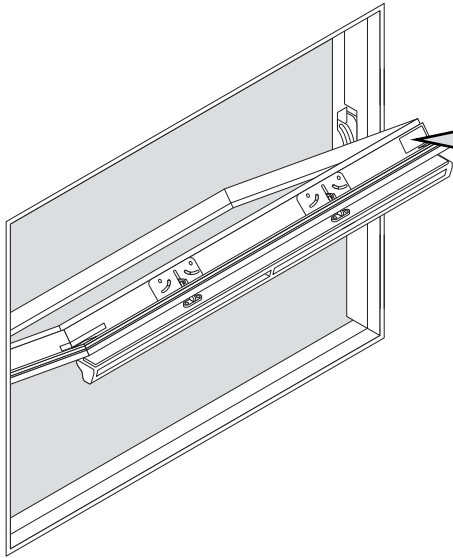
- The transformer plug **(A)** **must not** be removed and mains voltage fed directly to the ECU.
- Disposal of the electric product must be in conformation with national waste regulations.
- The packaging can be disposed as normal household waste.

### Maintenance and service

- If installed and operated correctly in accordance with the fitting instructions, the kit does not require any maintenance.
- It is recommended that KEYLITE service engineers carry out any repair work to the window or Keylite electric Kit.



Steps i & ii for window sizes  
08, 09 & 10 only



**keylite**

Window Size: 08  
1140mm x 1180mm

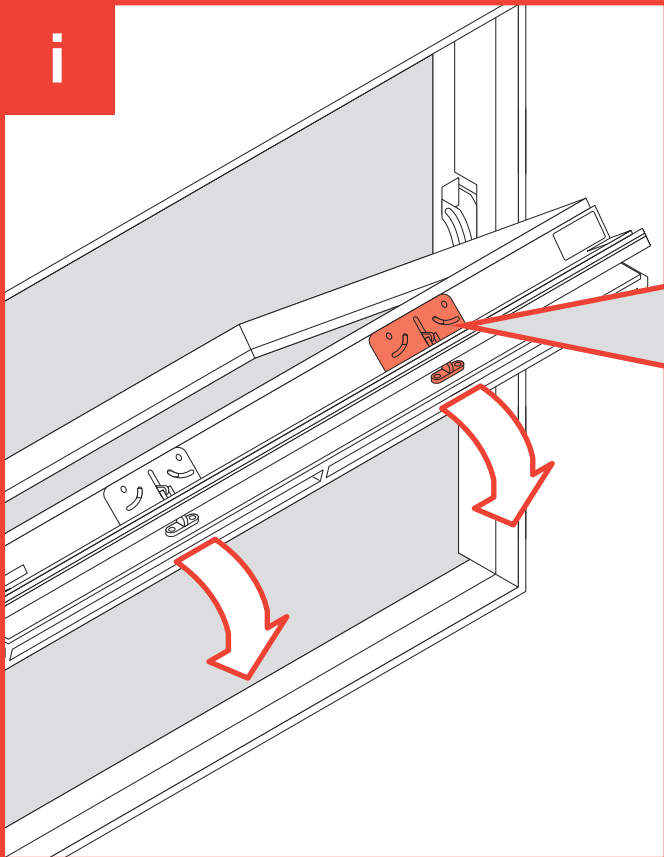
**keylite**

Window Size: 09  
1340mm x 980mm

**keylite**

Window Size: 10  
1340mm x 1400mm

**i**



**ii**

