

ASSEMBLY
(cont.)

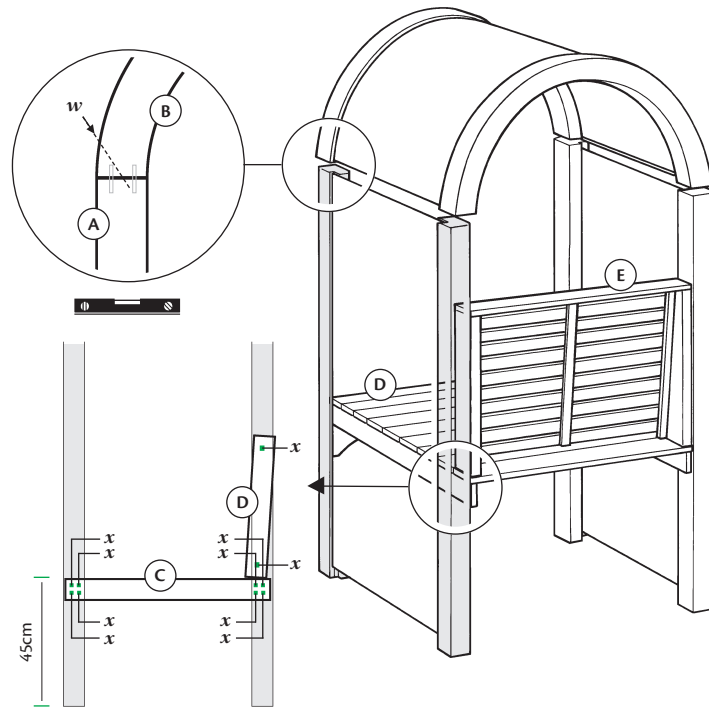
STEP 3
FITTING THE
ARBOUR SEAT

Add the Seat Sections. Your Seat [D] should be positioned approximately 45cm from the bottom. Mark this position and join the seat to the posts of the two Side Sections [A] with sixteen screws [x], four into each post, front and back through the wooden beams underneath the seat.

Raise your Arbour into an Upright position.

Finally fit the Seat Back [E] by positioning it on the rear slat of the seat section [D] and using four screws [x], two per side, top and bottom to fit it to the Side Section posts.

Your Arbour is now ready for use.



CONTEMPORARY
ARBOUR

- (A) SIDE PANELS
- (B) ROOF BEAMS
- (C) ROOF SLATS
- (D) ARBOUR SEAT
- (E) SEAT BACK



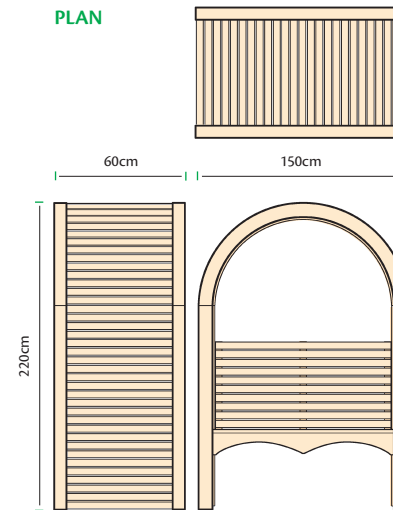
Grange
DEFINING GARDENS

CONTEMPORARY ARBOUR

CONTARB - 220cm [H] x 150cm [W] x 60cm [D]



PLAN



CODE:CONTARB

AFTERCARE

To ensure longevity of your structure it is recommended that it is treated with a wood preservative on a yearly basis.

©2015 Grange Fencing Ltd All rights reserved. In line with the Company's policy of continuous product development, the right is reserved to change and improve product design without prior notice.

All products and related emblems featured are trademarks of Grange Fencing Ltd.

www.grangefen.co.uk



Thank you for choosing this garden product from Grange.
 In order to gain the most benefit from it please read the following instructions carefully.

TOOLS REQUIRED (Not Supplied)

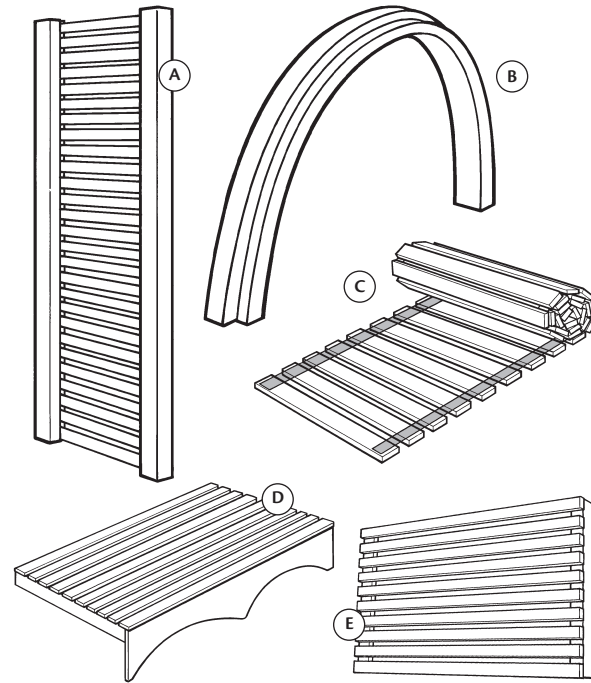
- POWER DRILL/SCREWDRIVER with posidrive No.2 bit
- 3mm DRILL FOR PILOT HOLES
- STEPLADDER
- WOODEN MALLET

PARTS LIST

| | |
|--|---|
| (A) SIDE PANELS [146cm x 60cm] | 2 |
| (B) CURVED ROOF BEAMS | 2 |
| (C) ROOF SLATS STRIP | 1 |
| (D) ARBOUR SEAT | 1 |
| (E) SEAT BACK | 1 |

HARDWARE PACK

| | |
|---------------------------|----|
| [w] SCREWS - 10cm | 4 |
| [x] SCREWS - 7.5cm | 20 |
| [y] SCREWS - 3.5cm | 82 |
| [z] WOODEN DOWELS | 8 |



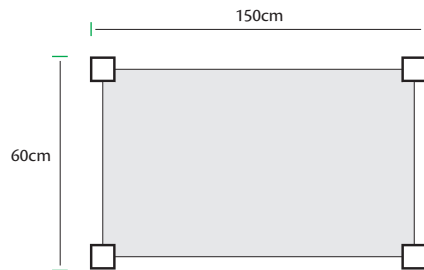
BEFORE YOU START

Please check the packs and make sure that you have all of the parts listed above. If not, contact your retailer who will be able to help you.

When you are ready to start make sure you have the right tools to hand, plenty of space and a clean dry area for assembly. It is advisable for two people to carry out the work.

At each stage of construction ensure that the build is level and upright.

Drill pilot holes to aid assembly.



ARBOUR FOOTPRINT
 Footprint of assembled arbour is 150cm x 60cm

ASSEMBLY

STEP 1 ASSEMBLING THE ROOF SECTION

Take the two Curved Roof Beams [B] and put them side by side on the ground approximately 60cm apart with the grooved sides facing each other.

Then unroll the Roof Slats Strip [C] and lay this over the top of the two roof beams so that it fits snugly into the grooves on each side - see **Fig.1**

This can now be fixed to the beams using the screws [y], two screws per roof slat, one either side.

Your roof section is now assembled.

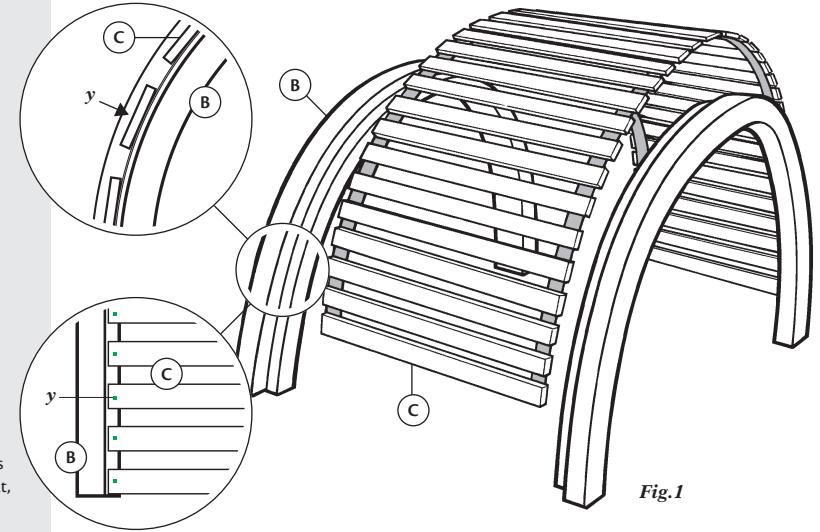


Fig.1

STEP 2 ASSEMBLING THE ARBOUR

Lay the two Side Sections [A] on the ground 150cm apart and insert the eight wooden dowels [z], into the holes at the top of each post, tapping them firmly into place with a wooden mallet - see **Fig.2**

Then connect the Roof Section to the Side Sections, aligning the holes for the dowels and gently pushing into place. Finally, using the four 10cm screws [w], one per post, secure the Roof Section to the Side Sections.

Do **not** lift the assembled structure upright yet.

continued overleaf.

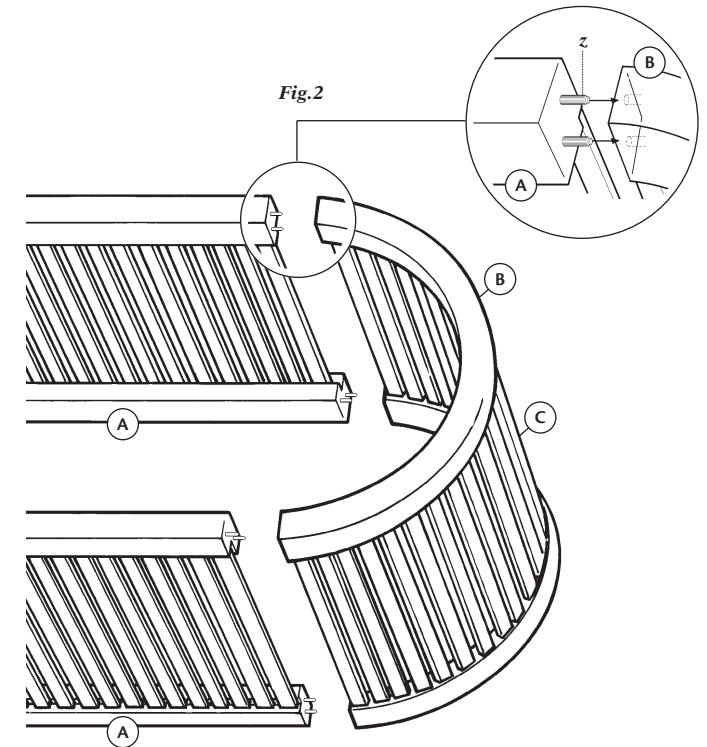


Fig.2